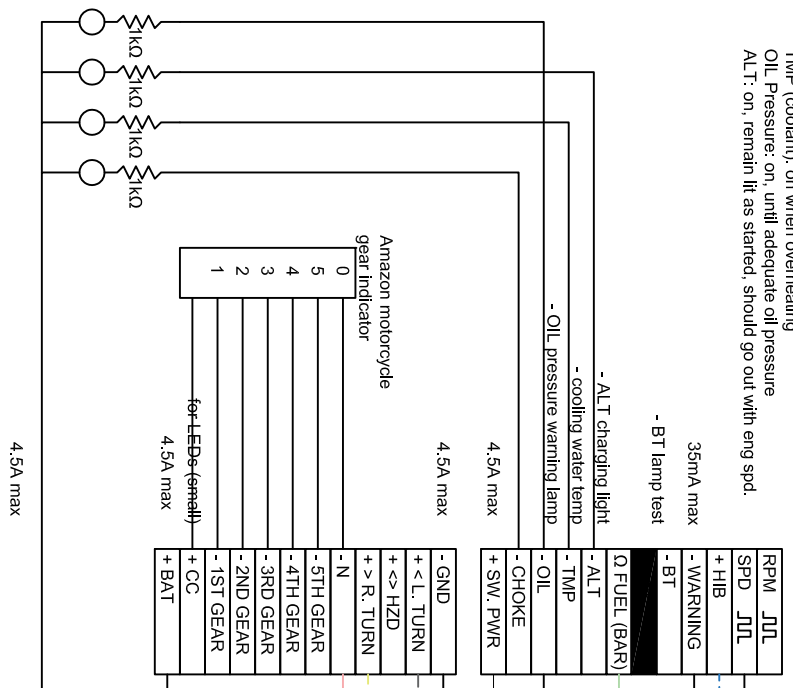


Warning is activated by the following: Bulb test (BT), ALT, TMP, OIL, and CHOKE  
 Choke goes live when choke lever is activated.  
 BT is deleted  
 TMP (coolant): on when overheating  
 OIL Pressure: on, until adequate oil pressure  
 ALT: on, remain lit as started, should go out with eng spd.

### BEP 3.0 Slim Edition

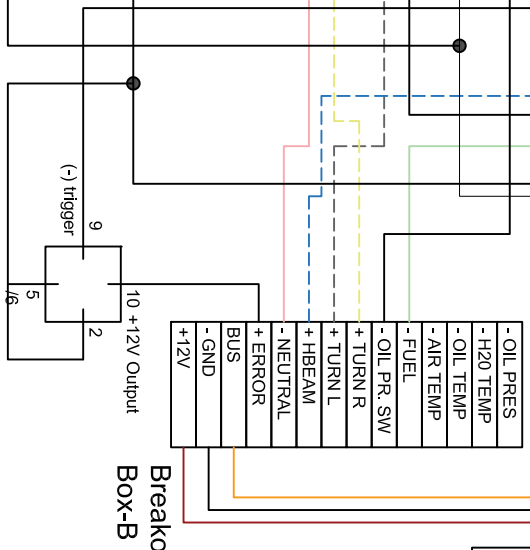


### Motoscope Pro

200mA max (9-16VDC) operating  
 400µA standby

RED	POWER SUPPLY (+) PERMANENT, 1A FUSED FROM BATTERY
BLACK	GROUND (-)
BROWN	POWER SUPPLY (+) SWITCHED, 1A FUSED
WHITE	INPUT SPEEDOMETER SENSOR
GREEN	INPUT MENU PUSH BUTTON
ORANGE	MOTO BUS
YELLOW	INPUT ENG SPEED
PURPLE	CAN BUS
PURPLE	CAN BUS

To Ignition Coil (black/blue wire)  
 Wire #16 on lunch box connector



RELAY  
 omron g5v-1  
 12.5mA  
 Coil Resistance  
 at 12V is 960 ohms

### Breakout Box-B